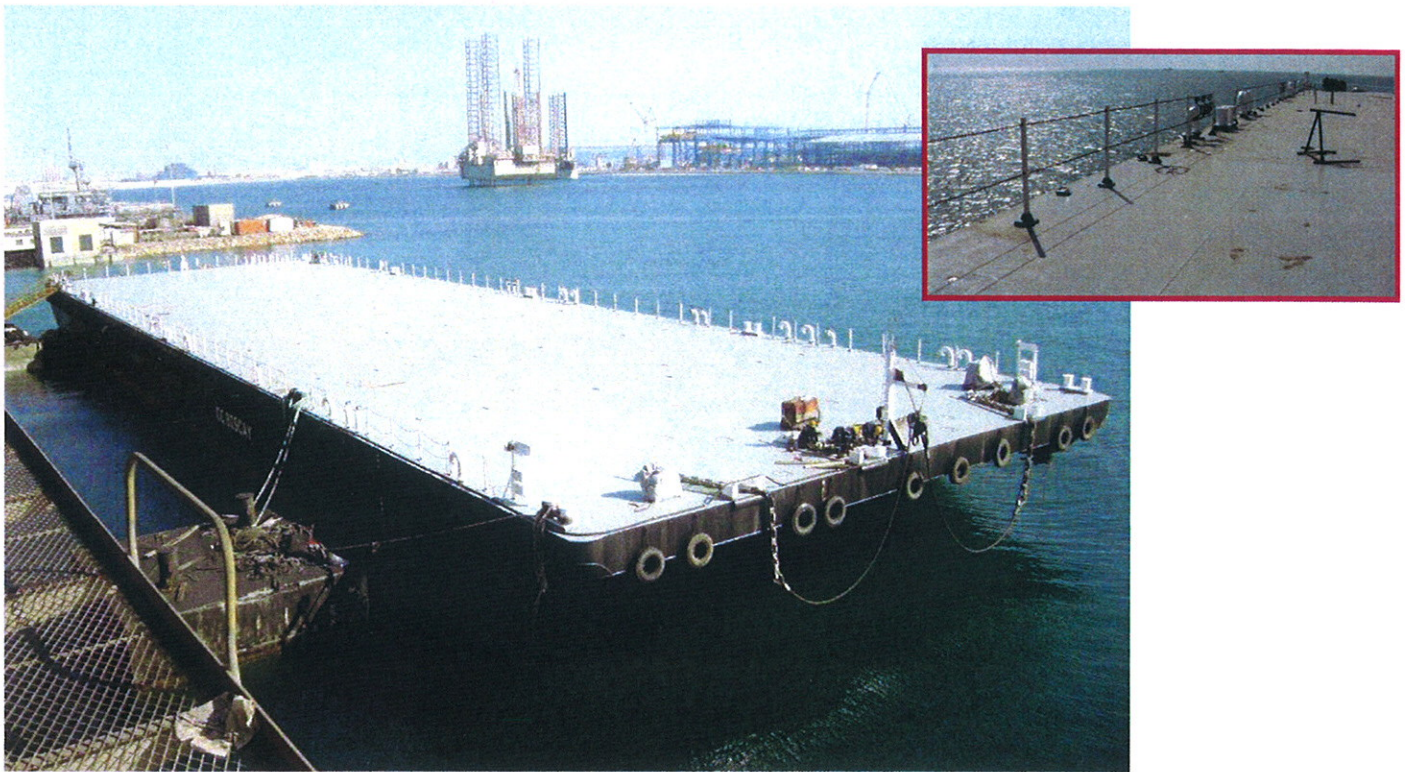


Ballastable Barge "CC BISCAY"



Owners:

Coastal Carriers N.V.
Kaya Flamboyan 11
Willemstad, Curacao

Coastal Carriers N.V. registered at the Chamber of
Commerce And Industry of Curacao
Number 118988

CRIB Number Coastal Carriers N.V. 102.266.130

Commercial Agent:

LKL Oceantrade B.V.
Adriaen Banckertstraat 8
Schiedam, The Netherlands

Phone: (31)10 4129622
Fax : (31)10 4112929

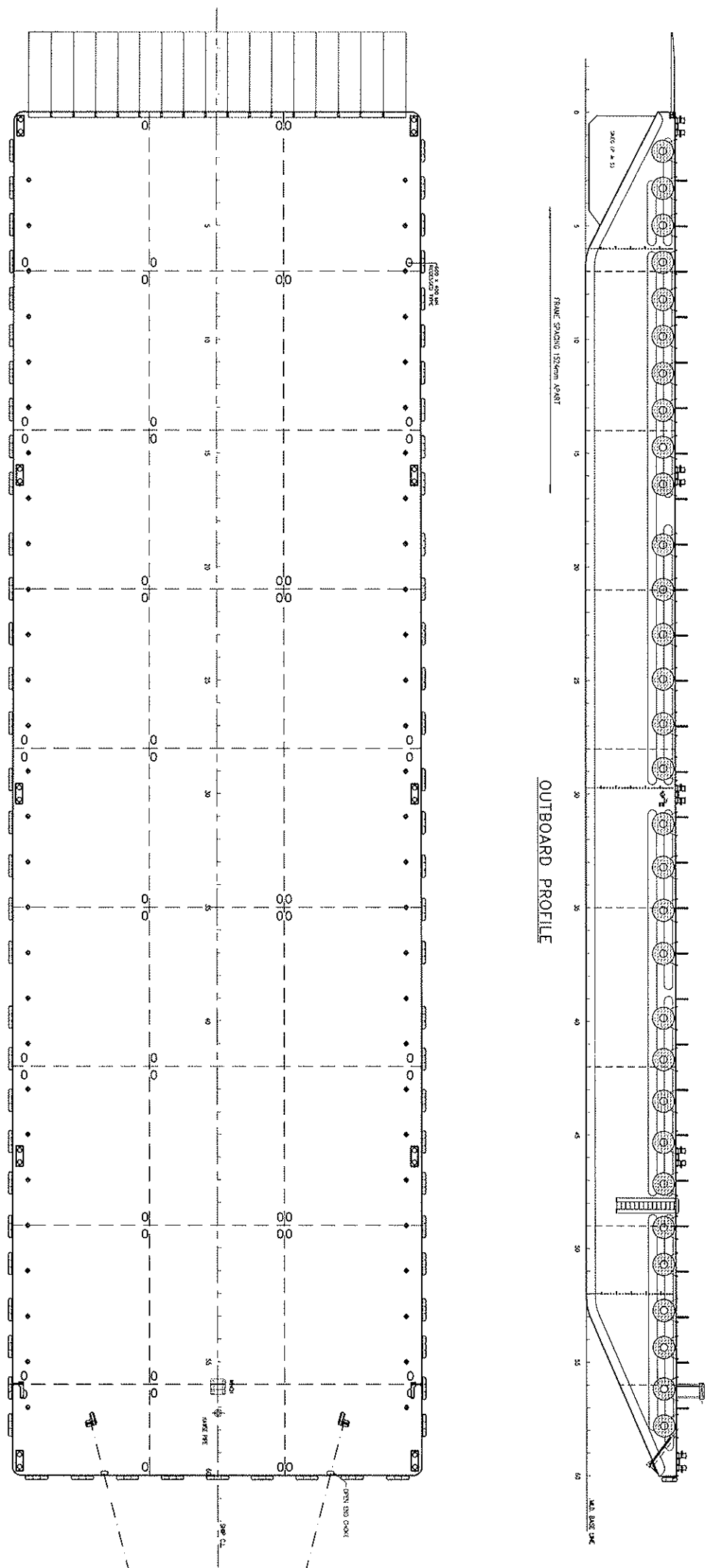
Email: mail@lkl.nl
www.lkl.nl

HEAVY LOAD / RORO CARGO BARGE "CC BISCAY"

Vessel particulars

Name of barge	"CC Biscay"
Flag	Curacao
Port of Registry	Willemstad
Official number	2007 - C - 1930
Classification	ABS - A1 Barge
Hull type	Steel Barge
Call Sign	PJIB
IMO Number	NA-067736
Year Build	2008
Builder	Port Shipyard & Engineering, Malaysia
GT	3923
NT	1176
Lightship Weight	2010 tons
Deadweight	9000 tons
Length Overall	91,44 mtr
Breadth	27,44 mtr
Depth	6,10 mtr
Draught (empty)	1,00 mtr
Draught (extreme)	4,87 mtr
Electrical Power	N/A
Free deck space	2500 sqm
Strenght of Deck	15ts / sqm
Ramp Lenght / Width	5,70 x 1,50 mtr
Number of Ramps	6 Ramps
Position f Ramps	Stern, 1 up to 17, total breadth 9.0m
Last Dry dock	August 2011
Next Drydock	2013

**ALL DETAILS ARE BELIEVED TO BE
CORRECT BUT NOT GUARANTEED.**



Ramps

Number of Ramps: 6

Ramp length / Width: 5,70 x 150 mtr

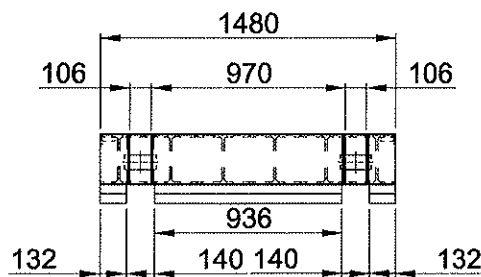
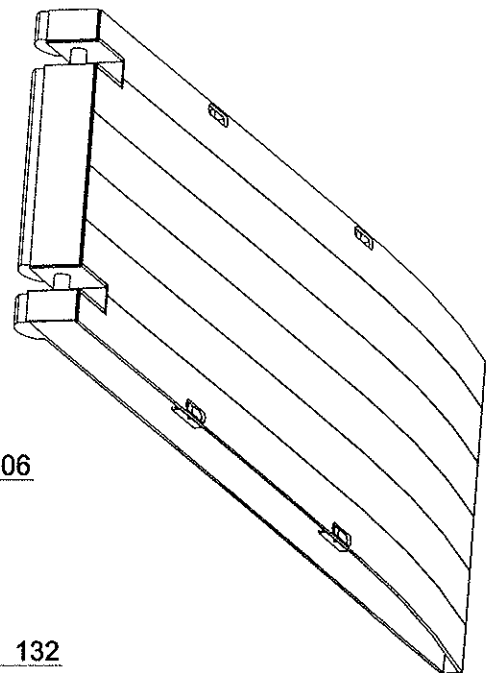
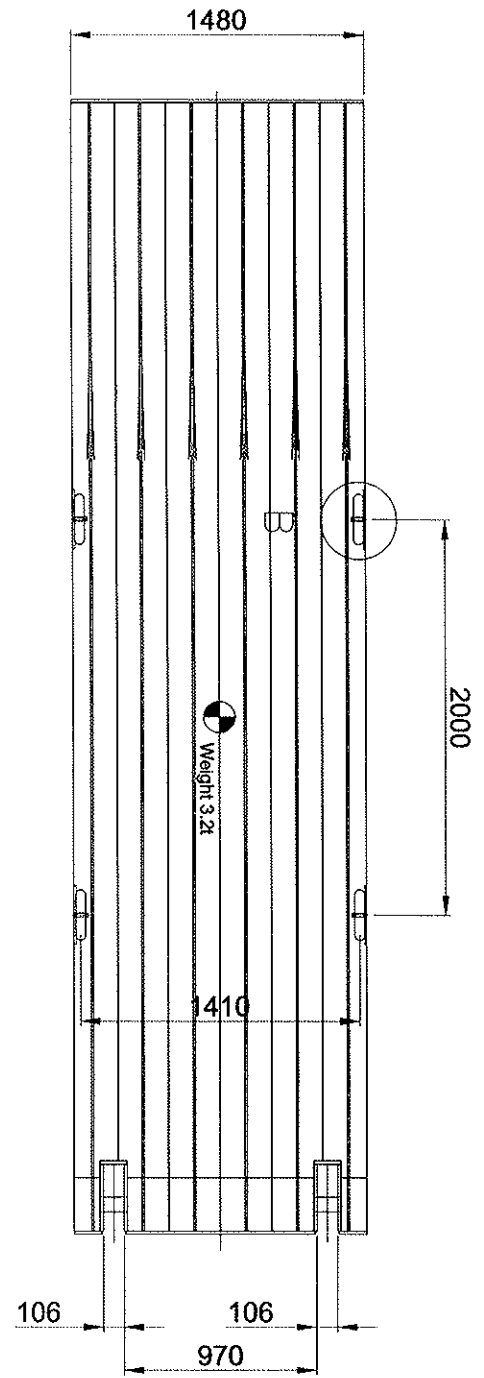
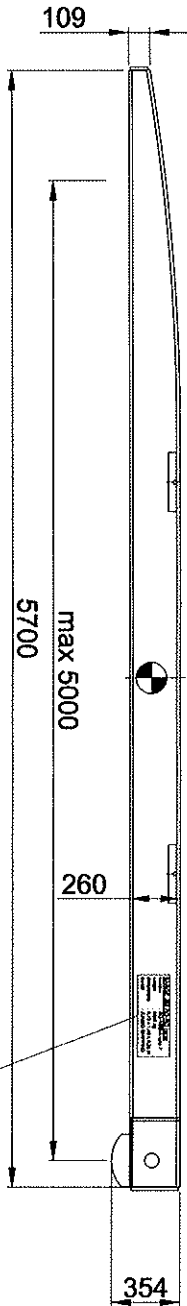
Max. span of RoRo Ramps: 5,00 mtr

Min. Spacing axles: 1,40 mtr

Max. SPMT Axle-load (2xTyre): 18 ton

Position of Ramps: Stern, 1 up to 7, total breadth 9,0m

Capacity:
 max. SPMT Axle-load (2x Tyre) 18 ton
 min. spacing axles 1.40 m
 max. span of RoRo Ramps 5.00m



BARGE	RO-RO ramp
number	: EQ-1020-A upto F
weight	: 3200 kg
dimensions	: 5.70 x 1.48 x 0.35 m

Mooring, Anchors and Boarding Arrangements:

Number of Anchors	One on the port side forward
Length of chain/wire	23m chain + 120 wire
Mooring lines	6 x 25m mooring lines
Bollards	10

